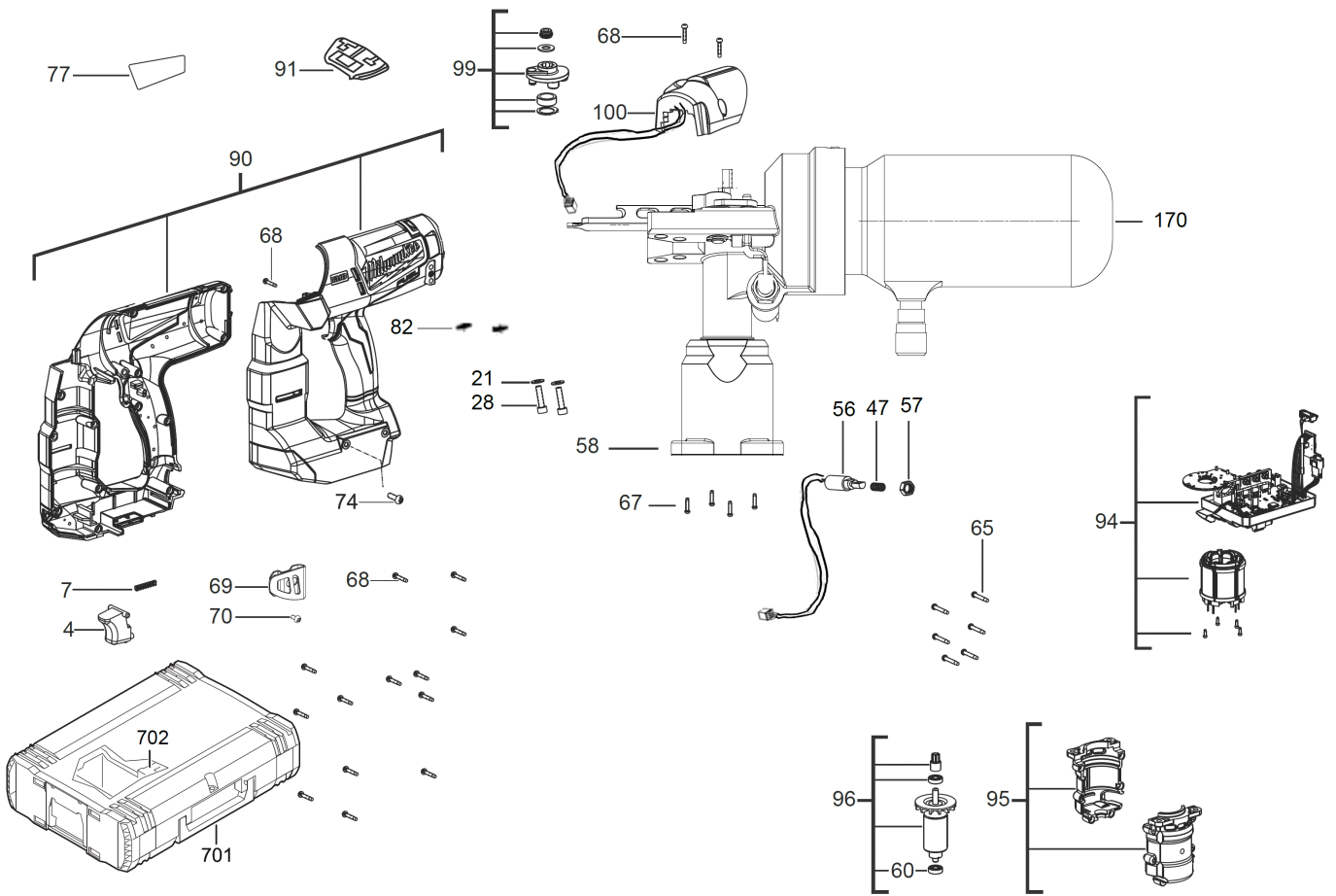
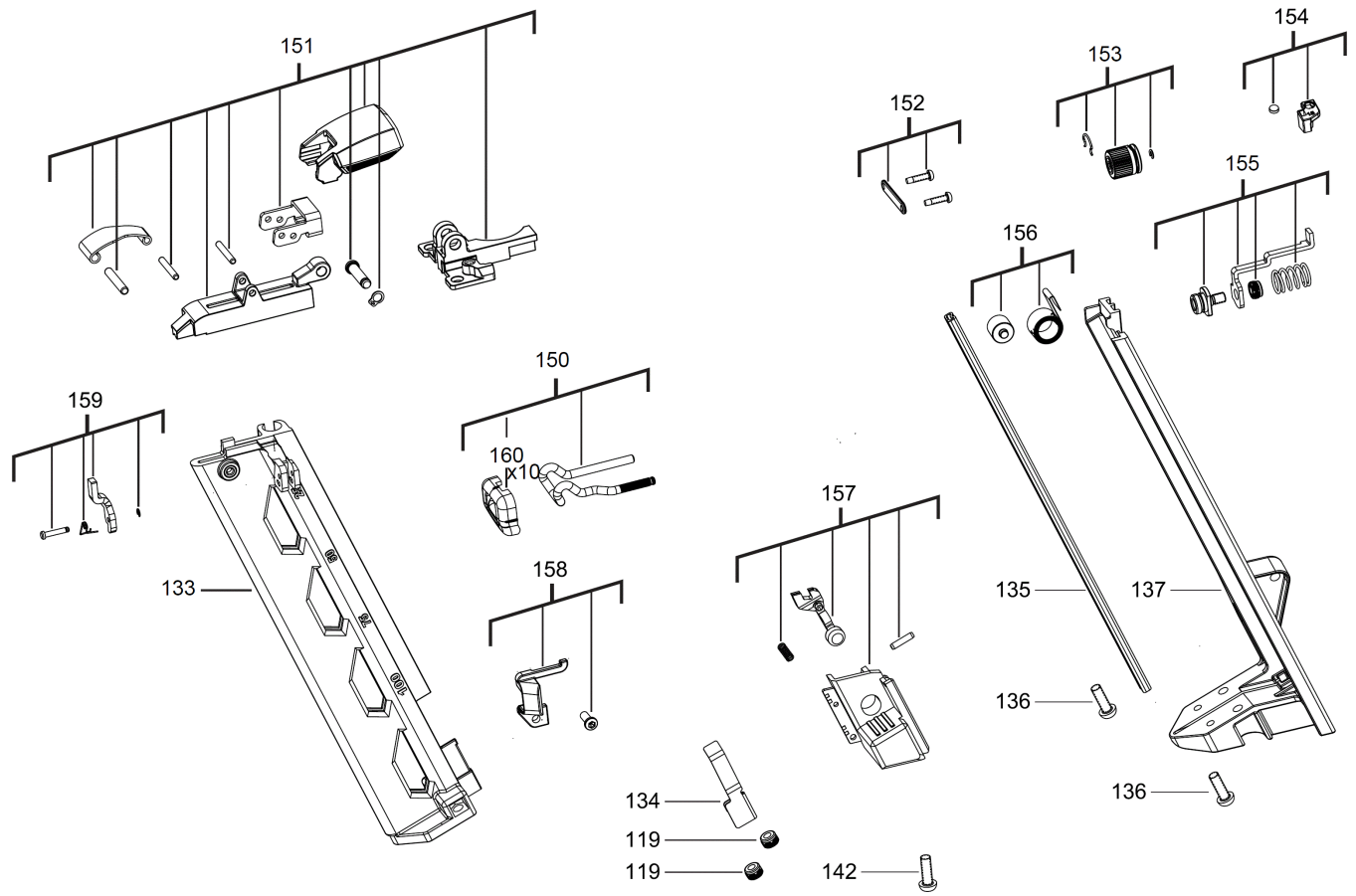


M18CN16GA-0 BTY. Nailer XXX

4933451569 - M18CN16GA-0 - 4000456794







Position	Quantity	Description	Part number	EAN
0004	1	TRIGGER	4931453960	4002395281879
0007	1	SPRING	4931453961	4002395281886
0021	2	WASHER	4931453965	4002395282524
0028	2	SCREW	4931453966	4002395282531
0047	1	SPRING	4931453967	4002395282548
0056	1	MAGNET	4931453968	4002395282555
0057	1	NUT	4931453969	4002395282562
0058	1	MOTOR PLATE	4931453970	4002395282579
0060	1	BALL BEARING	4931453971	4002395282586
0065	6	SCREW	5131000000	
0067	4	SCREW	4931435661	4002395863655
0068	16	SCREW	4931453227	4002395153206
0069	1	HOLDER	4931453220	4002395152537
0070	1	SCREW	4931436566	4002395257638
0074	1	SCREW	4931453972	4002395282593
0077	1	RATING PLATE	4931453974	4002395283217
0082	2	HOLDING RING	4931453975	4002395283224
0090	1	HOUSING	4931453976	4002395283231
0091	1	TRIGGER	4931453977	4002395283248
0094	1	ELECTRIC COMPLETE	4931453980	4002395283279
0095	1	MOTOR HOUSING	4931453981	4002395283286
0096	1	ARMATURE	4931453982	4002395283293
0099	1	EXCENTER	4931453984	4002395280513
0100	1	COVER	4931453985	4002395280520
0119	2	NUT	4931453988	4002395280551
0133	1	MAGAZINE	4931453989	4002395280568
0134	1	SPRING PLATE	4931453990	4002395280575
0135	1	GUIDE PIECE	4931453991	4002395280582
0136	2	SCREW	4931453992	4002395280599
0137	1	GUIDE RAIL	4931453993	4002395281206
0142	2	SCREW	4931453972	4002395282593
0150	1	LOCK RELEASE KIT	4931453995	4002395281220
0151	1	RECEPTION PIECE	4931453996	4002395281237
0152	1	COVER-KIT	4931453997	4002395281244
0153	1	REBATE DEPTH GAUGE	4931453998	4002395281251
0154	1	MAGNET	4931453999	4002395281268
0155	1	RUBBER STOP	4931454000	4002395281275
0156	1	ROLL	4931454001	4002395281282
0157	1	HOLDING DEVICE	4931454002	4002395281299
0158	1	REBATE DEPTH GAUGE	4931454003	4002395281909
0159	1	STOP	4931454004	4002395281916
0160	1	CAP	4931454192	4002395285068
0170	1	NITROGEN CYLINDER (M18CN16GA)	5131000000	
0702	1	INSERT	5131000000	
0701	1	HD Box 3 - 1pc	4932453386	4002395143634